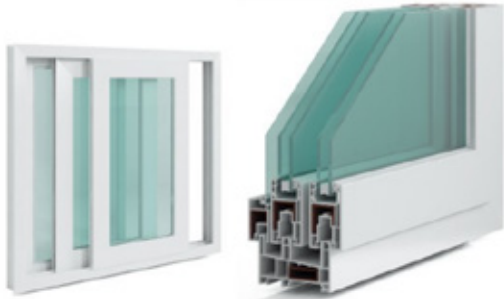




AI INTER GROUP



中國地址：
廣東省佛山市
丹桂路同華樓3樓502

CHINA OFFICE ADDRESS：
502.No.3.TONGHUA Eaststreet,TONGHUA Road
CHANCHEN District.FOSHAN City.GUANGDONG,China

U.S.OFFICE ADDRESS：
18911 Collins Avenue, Apt. 2591,
Sunny Isles Beach, FL 33160, United States

uPVC WINDOWS & DOORS



United States

📍 355 Palermo Ave
Coral Gables, Florida 33134, USA
☎ +17864266079

Bangladesh

📍 2B, Orion Green Garden, 285
Ashkona, Dhaka 1230, Bangladesh
☎ +1 818 900 9852

Colombia

📍 Ingeniería y Desarrollo: Carrera
14# 127 a 45 Bogotá, Colombia
☎ +57 311 6535901

Hong kong

📍 161~167號 Des Voeux Rd Central,
Central, Hong Kong
☎ +86-535-6723166
📠 +86-535-6723171 / 67231729

United Kingdom

📍 18 King William Street, London,
EC4N 7BP
☎ 020 3375 8046

What is uPVC and its use in the making of Doors & Windows?

In recent times, un-plasticized polyvinyl chloride abbreviated as 'uPVC' polymers are quite in demand all over the world. It is a popular choice of polymer for the manufacture of uPVC windows and doors. This material is tremendously durable, long-lasting as well as cheap to manufacture. Also, the uPVC window and door offer a variety of designs, patterns, and styles. With a wide range of options, uPVC windows and doors suit everything right from traditional properties to contemporary buildings.

uPVC polymer is mixed with various different additives and stabilizers. Depending on the qualities of uPVC windows and doors needed, the stabilizers and additives are keenly chosen. For the manufacture of high-quality uPVC doors and windows, special UV and heat stabilizers are added. With the help of the extrusion process uPVC window frames and doors are produced that deliver energy efficiency, superior performance, excellent insulation, and environmental sustainability.

As noted above, high-quality windows ensure security and make your home aesthetically pleasing. Builders also use uPVC to make doors, and here are some of the pros of using uPVC windows and doors.

Benefits of uPVC Windows and Doors

1. Long-Lasting

Building materials such as wood are susceptible to damage by moisture. When exposed to water, they rot, and mould grows on them. Metal windows and doors need expensive finishes to ensure that they are corrosion resistant which raises their costs. uPVC is mould, rot, and rust-resistant. It also does not blister due to moisture or get affected by salt corrosion. That means whether you live in a coastal area or up in the mountains, uPVC is the material for you.

2. Low Maintenance

Materials like wood and metal require regular maintenance to prevent rust or rot. You need to have them checked regularly and repaired if there is any sign of damage. You will need to paint them regularly since during cold weather the paint will blister. With uPVC, you will not have to deal with any of these issues. It requires little maintenance and will look brand new for a very long time. uPVC is also easy to clean, so you will not spend an entire day scrubbing it.

3. Sound-Proof

Your home should be a peaceful place where you can comfortably rest, and therefore soundproofing is very important. When you use uPVC frames with double glazed window glass, it reduces noise by nearly 80%, creating a quiet home environment.

4. Secure

Windows and doors should secure your home against intruders. There are over ten different locking options that you can use with both uPVC windows and doors. When you use toughened safety glass with uPVC window frames, it makes it impossible for thieves or burglars to gain entry to your home.

5. Insulating

Excellent window and door materials will not allow the heat inside your home to escape. That ensures your home remains warm and comfortable. uPVC has excellent insulation qualities which make it a perfect material for use in windows and doors. It will ensure that you will not rely heavily on your air conditioning unit. You will reduce the amount of energy you use in the home and lower your monthly power bill.

6. Fire resistant

If you live in an area prone to bush fire, you should use uPVC windows when building your house because they are fire retardant. They are also customized to withstand harsh weather conditions like hurricanes and cyclones.

7. Eco-friendly

As noted above, uPVC windows are Green Windows. Companies recycle uPVC into tiles, pipes, roadside guideposts, among other things. uPVC windows last between 40 and 80 years which is a very long time compared to other materials.

8. Rust and corrosion-resistant

One of the main reasons why metal windows and doors do not last a long time is the damage due to rust and corrosion. In coastal areas, salt corrosion can reduce the longevity of a door or window drastically. That leads to expensive repairs and replacements. uPVC does not rust or corrode even in very wet regions. It will serve you for a long time, and you will not need to paint it regularly to prevent moisture damage.



uPVC Window Types



Double Hung



2-lite Slider



Casement



Awning



Geometric Top Single Hung



Geometric



Bay



Bow



Garden Window



2-Lite Horizontal Roller



Single Hung



Single Slider



Garden Door



Patio Door



Narrow Frame Patio Door



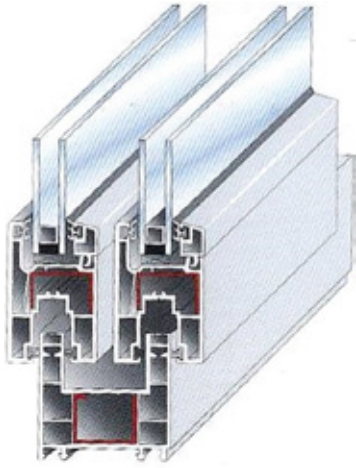
French Rail Sliding Patio Door



Fiberglass Hinged Patio Door



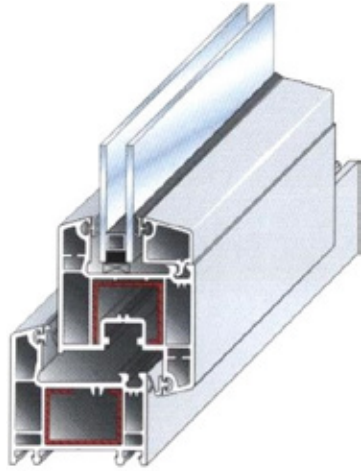
60/95 series uPVC Sliding Window



60 series uPVC Fixed/Casement Louvre Window



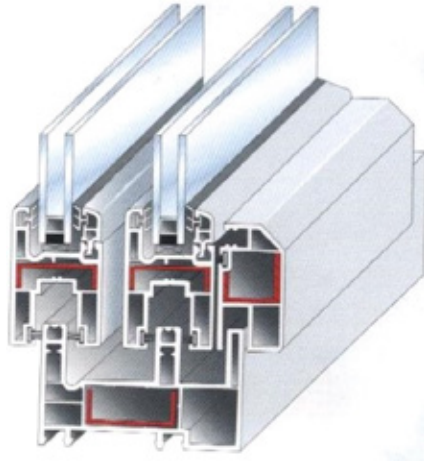
60 series uPVC Casement Window (Inward opening)



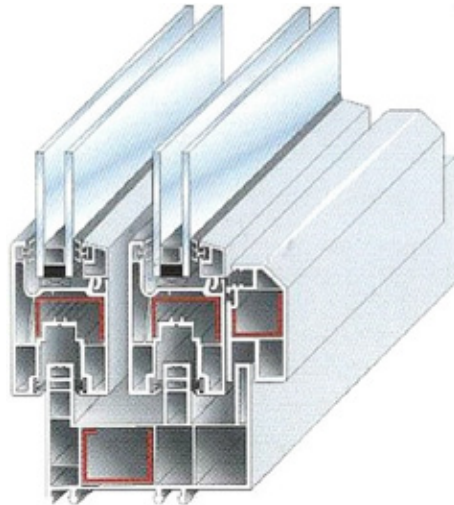
60 series uPVC Casement/Awning Window (Outward opening)



80 series uPVC Sliding Window

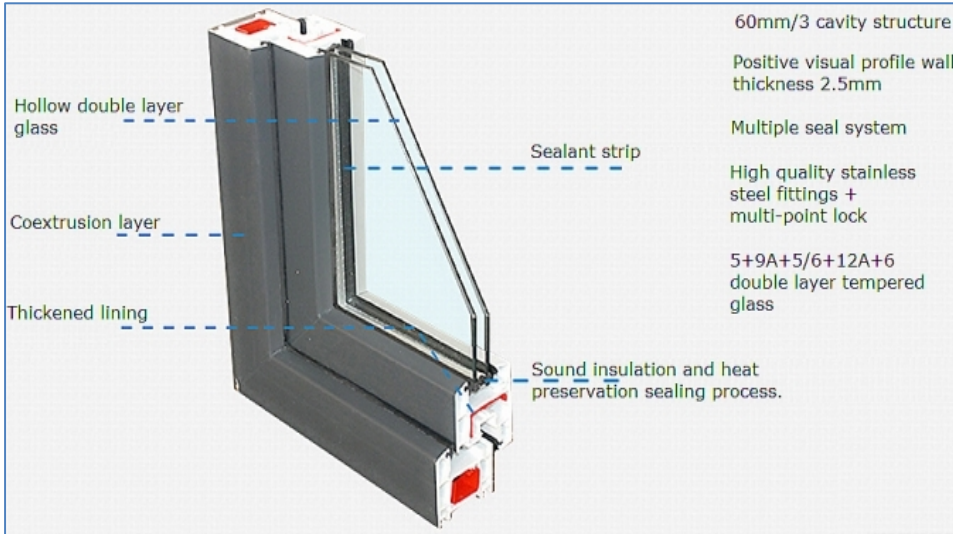


88 series uPVC Sliding Window



Double Color Coextrusion uPVC Profiles Series

1 Parameter Configuration



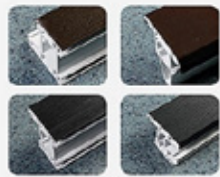
2 Product details

High quality accessories, sturdy and durable.



► MC color coextrusion technology

Used of the most advanced PMMA flexible technology, applicable to all types of architectural style, fully meet the consumer demand for color and surface treatment of individual needs.



- Excellent weatherability
- High gloss surface / scratch resistance
- Good strength balance

► Surface treatment



3 Fine Structure

- cavity structure : 60mm three chamber mechanism
- Profile wall thickness standard : B level
- Anti wind pressure performance: 5 level (GB/T7106-2008)
- Watertight performance: 5 level (GB/T7106-2008)
- Airtight performance: 6 level (GB/T7106-2008)
- Insulation performance: $K=2.0W (m^2.K)$ (GB/T8484-2008)
- Sound insulation performance: $R_w=35$ dB (GB/T8485-2008)



Double Color Coextrusion uPVC Profiles Series

4 Product Features

Good thermal insulation, heat insulation effect than aluminum is 1250 times.



Water tightness, no leakage, the use of sealed design, separate drainage cavity.



Sound insulation effect is good, far better than China's national standard 25 dB, do not worry about noise disturb.



uPVC Window

VS



Aluminum window

The corrosion resistance is strong, not by acid and alkali salt damage. Anti aging, anti radiation performance.



HP-801



HP-806



HP-6807



HP-603



HP-603



HP-4205



HP-402



HP-902



Double Color Coextrusion uPVC Profiles Series

5 Profile Process



Raw materials: selection of DuPont, Germany Leinuolite etc. most high-quality raw materials, the material better weatherability, surface color is more abundant.



Equipment: the introduction of Germany and Austria advanced extrusion equipment technology and production processes, all the implementation of automated production, process control of high precision, good quality products.



R & D: with the Institute of plastics and professional R & D team, based on the scientific ratio, the production of first-class products.



High precision mold: with an independent mold processing factory, for the high quality products and product innovation to provide a strong guarantee.



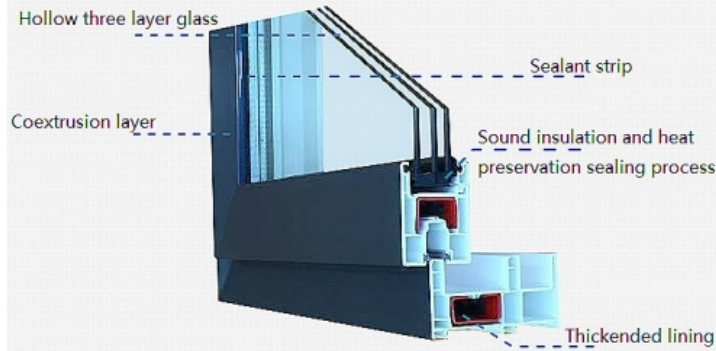
Quality inspection: the implementation of the whole process of quality management, follow the PDCA cycle, each process has a strict quality control.



Double Color Coextrusion uPVC Profiles Series Class Energy Saving 88 Series Sliding window

Parameter Configuration

Compared with the series of 60/88 and more damming of wall thickness and cross-sectional, better sealing performance, can be installed 30-35 mm thick hollow built-in louver glass, application of the sliding rubber strip instead of traditional tops, sealing performance upgrade.



Parameter Configuration

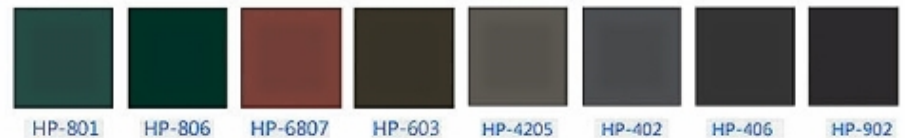
Product series: 88 push and pull series

Material: uPVC profile

Type: double layer hollow glass / three layer hollow glass (can be customized)

Wall thickness: 2.0-2.5mm

Product features: sound insulation, heat preservation function is further than the 60 series, other performance with reference to the 60 series



Double Color Coextrusion uPVC Profiles Series

Class Shade108 Series Sliding window

Fine Structure

cavity structure :108mm three chamber mechanism

Profile wall thickness standard : B level

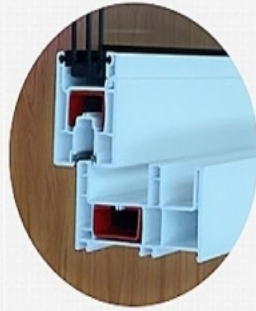
Anti wind pressure performance: 5 level (GB/T7106-2008)

Watertight performance: 5 level (GB/T7106-2008)

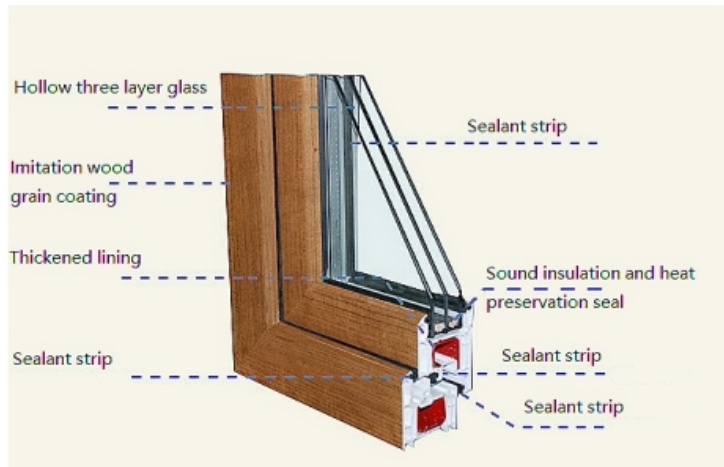
Airtight performance: 6 level (GB/T7106-2008)

Insulation performance: $K=2.0W(m^2K)$ (GB/T8484-2008)

Sound insulation performance: $R_w= 35 dB$ (GB/T8485-2008)



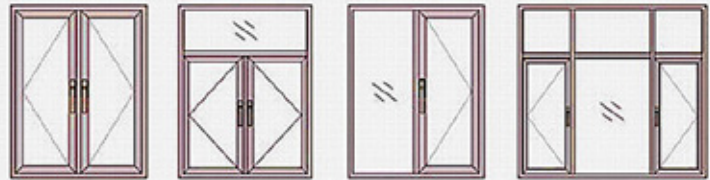
European 65 Series Casement window



High quality accessories, sturdy and durable.



OPTIONAL WINDOW TYPE



A variety of window type selection, through used different accessories, flexible opening, Under suspension opening two ways , improve the convenience and safety of the way open.



European 65 Series Casement window



Walnut



Cherry



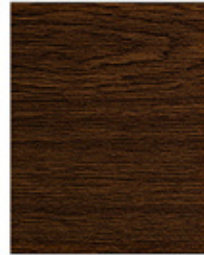
Oscar



Light walnut



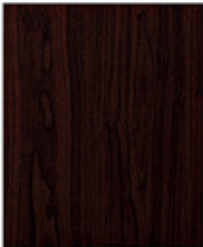
Irish Oak



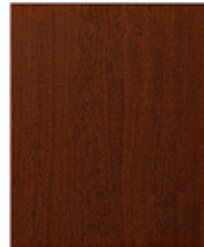
Coarse grained Oak



Light cherry



black cherry



Mexico teak

Cavity structure: 65mm/5 chamber 3 seal
Profile wall thickness standard: B type
Anti wind pressure performance: 6 level (GB/T7106-2008)
Watertight performance: Level 5 (GB/T7106-2008)
Airtight performance: 8 (GB/T7106-2008)
Insulation performance: $K=1.3W(m^2.K)$ (GB/T8484-2008)
Sound insulation performance:
 $R_w=45dB$ (GB/T8484-2008)

Schematic diagram
of cavity structure



腔体结构示意图

Screw connection technology,
high strength of the window,
excellent performance.



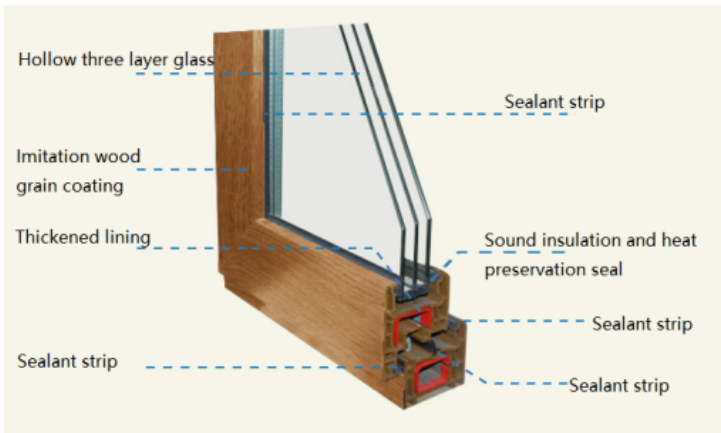
Seamless welding, smooth
beautiful and durable,



Insert type TPE rubber strip,
anti-aging performance is
better.



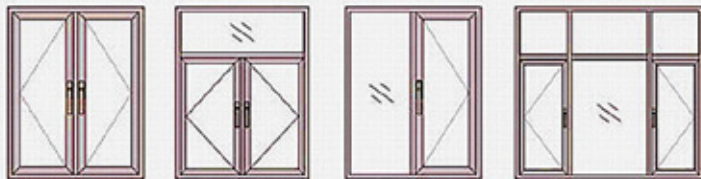
American Minimalist 65 Series Casement window



High quality accessories, sturdy and durable.



OPTIONAL WINDOW TYPE



A variety of window type selection, through used different accessories, flexible opening, Under suspension opening two ways , improve the convenience and safety of the way open.



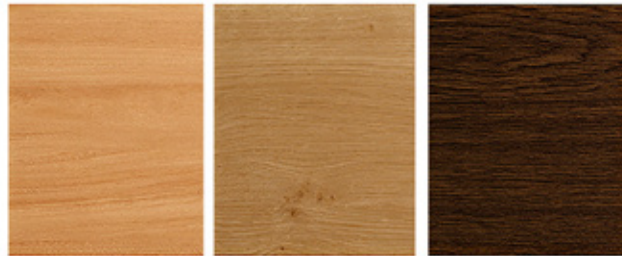
American Minimalist 65 Series Casement window



Walnut

Cherry

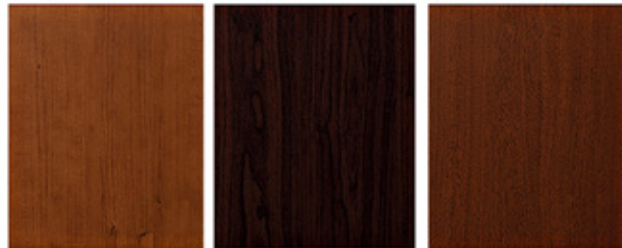
Oscar



Light walnut

Irish Oak

Coarse grained Oak



Light cherry

black cherry

Mexico teak

Cavity structure: 65mm/5 chamber 3 seal
Profile wall thickness standard: B type
Anti wind pressure performance: 6 level (GB/T7106-2008)
Watertight performance: Level 5 (GB/T7106-2008)
Airtight performance: 8 (GB/T7106-2008)
Insulation performance: $K=1.3W(m^2.K)$ (GB/T8484-2008)
Sound insulation performance:
 $R_w=45dB$ (GB/T8484-2008)

Schematic diagram
of cavity structure



腔体结构示意图

Screw connection technology,
high strength of the window,
excellent performance.



Seamless welding, smooth
beautiful and durable,



Insert type TPE rubber strip,
anti-aging performance is
better.

